

FANUC

Compact, strong and fully enclosed



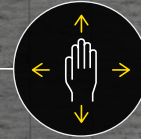
USER INTERFACE
services completely integrated in the arm



ENCLOSED CONSTRUCTION
no exposed cables, motors or other interferences



LIGHTWEIGHT
205 kg weight vs
35 kg payload



STRONG WRIST
compact design, but high payload and inertia



SLIM ARM
for more flexibility

NEW
M-20iB/35S



Flexibility even in narrow spaces

- class leading 35 kg payload capacity
- small wrist design in combination with its payload capacity and inertia, makes it ideal for high payload handling in narrow spaces
- various mounting options increase flexibility of use (floor, angle, ceiling)
- advanced servo technology included
- fully enclosed and smooth design prevents snagging and interference
- full IP67 protection ideal for harsh environments

M-20iB/35S

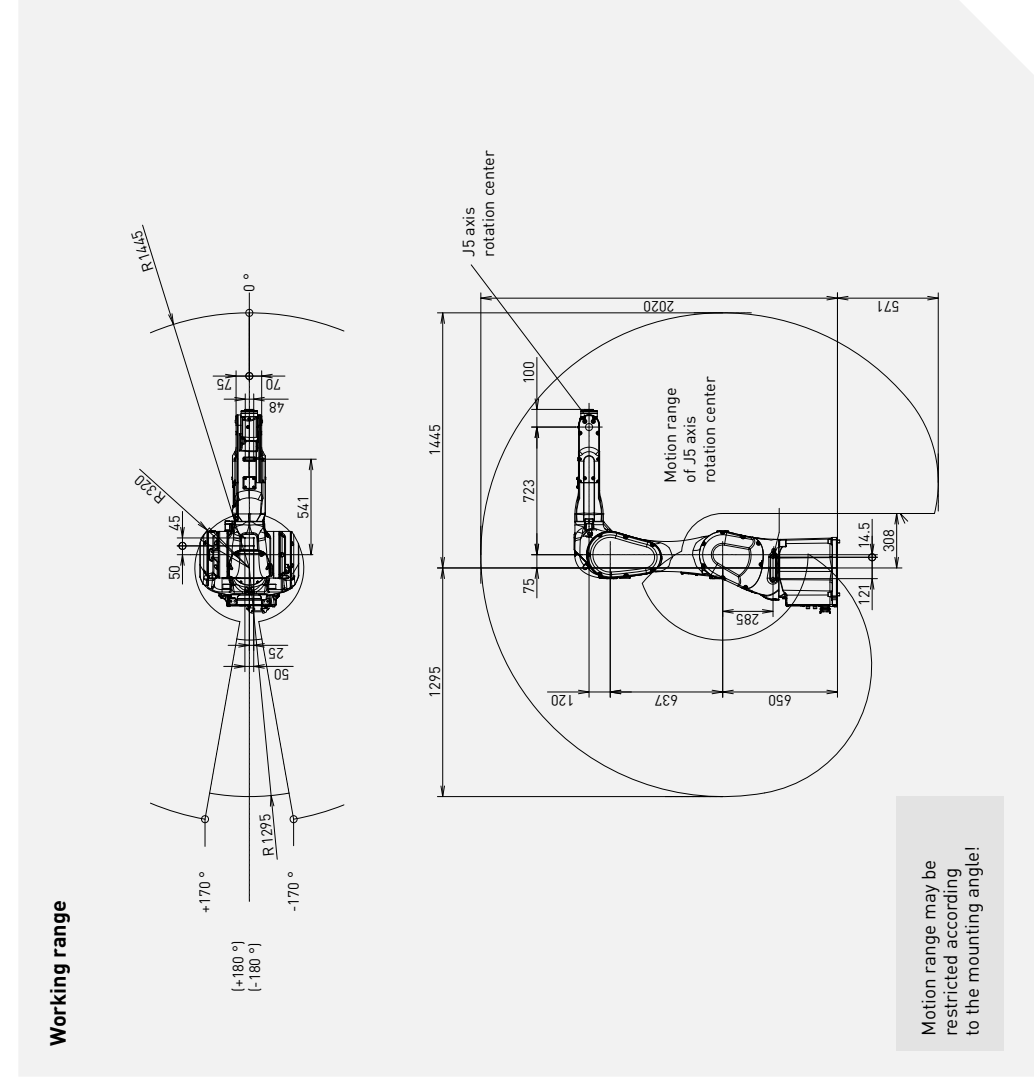


Max. load capacity
at wrist: **35 kg**



Max. reach:
1445 mm

Controlled axes	Repeatability (mm)	Mechanical weight (kg)	Motion range [°]						Maximum speed [%/s]						J6 Moment/Inertia (Nm/kgm ²)	J5 Moment/Inertia (Nm/kgm ²)	J4 Moment/Inertia (Nm/kgm ²)	J6 Moment/Inertia (Nm/kgm ²)	
			J1	J2	J3	J4	J5	J6	E1	J1	J2	J3	J4	J5					J6
6	± 0.02*	205	340 (360)	240	301,5	400	260	540	-	205	205	260	415	415	880	-	51 / 2.2	51 / 2.2	31 / 1.2



Working range

Motion range may be restricted according to the mounting angle!

Robot

- Robot footprint [mm] **M-20iB/35S**
383 x 343
- Mounting position Floor
- Mounting position Upside down
- Mounting position Angle

Controller

- Open air cabinet
- Mate cabinet
- A-cabinet
- B-cabinet
- iPendant Touch

Electrical connections

- Voltage 50/60Hz 3phase [V] 380-575
- Voltage 50/60Hz 1phase [V] -
- Average power consumption [kW] 1

Integrated services

- Integrated signals on upper arm In/Out 8/2
- Integrated air supply 1

Environment

- Acoustic noise level [dB] < 73.2
- Ambient temperature [° C] 0-45

Protection

- Body standard/optional IP67
- Wrist & J3 arm standard/optional IP67