

THE FACTORY AUTOMATION COMPANY

FANUC

Flexibility meets heavy payloads

M-900iB/360E



HIGH FLEXIBILITY

Ideal for heavy assembly, welding and loading tasks within a large envelope



ENHANCED WRIST LOAD CAPACITY

allowing handling of larger parts



COMPACT, SPACE SAVING DESIGN

Compact wrist design protects motors from heat and harsh environments



360 KG PAYLOAD

Ideally suited for heavier assembly and handling



Flexible handling, flexible positioning

- increased allowable load moment and inertia at wrist
- floor, ceiling, angle and wall mounting available in case space is a concern
- ideal for assembly, parts transfer and loading applications where heavy payloads are involved
- optional severe dust and liquid protection (SDLP)
- longer reach version available in the series: M-900iB/400L

WWW.FANUC.EU

M-900iB/360E

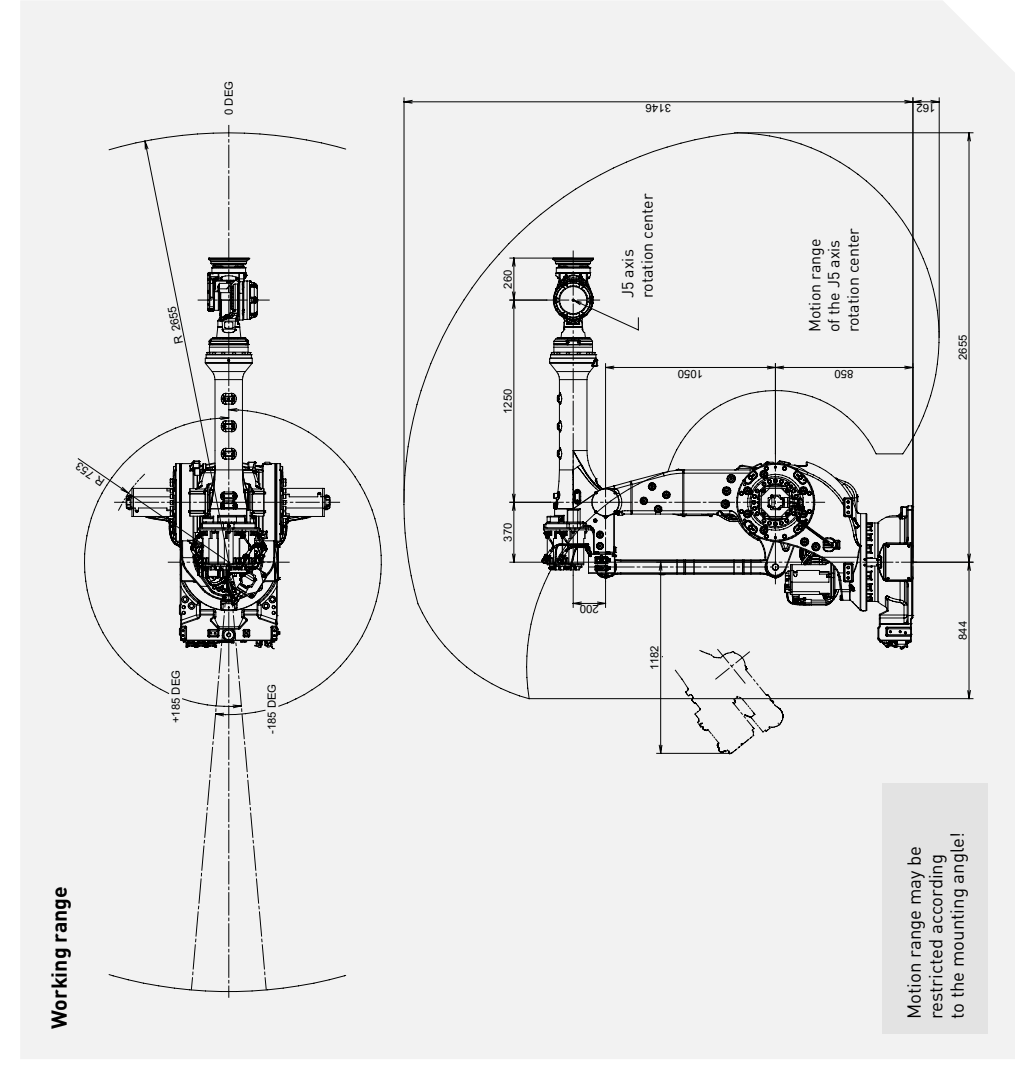


Max. load capacity
at wrist: **360 kg**



Max. reach:
2655 mm

Controlled axes	Repeatability (mm)	Mechanical weight (kg)	Motion range (°)						Maximum speed (°/s)						J4 Moment/Inertia (Nm/kgm ²)	J5 Moment/Inertia (Nm/kgm ²)	J6 Moment/Inertia (Nm/kgm ²)	
			J1	J2	J3	J4	J5	J6	J1	J2	J3	J4	J5	J6				
6	± 0.1	1540	370	151	224	720	720	250	720	100	105	100	110	110	180	2330/500	2330/500	1280/360



Robot

Robot footprint [mm]
830 x 610

Mounting position Floor

Mounting position Upside down

Mounting position Angle

Controller

Open air cabinet

Mate cabinet

A-cabinet

B-cabinet

iPendant Touch

Electrical connections

Voltage 50/60Hz 3-phase [V]
380-575

Voltage 50/60Hz 1-phase [V]
-

Average power consumption [kW]
3

Integrated services

Integrated signals on upper arm In/Out
8/8

Integrated air supply
2

Environment

Acoustic noise level [dB]
73.9

Ambient temperature [°C]
0-45

Protection

Body standard/optional
IP54/IP56

Wrist & J3 arm standard/optional
IP67

● standard ○ on request - not available () with hardware and/or software option